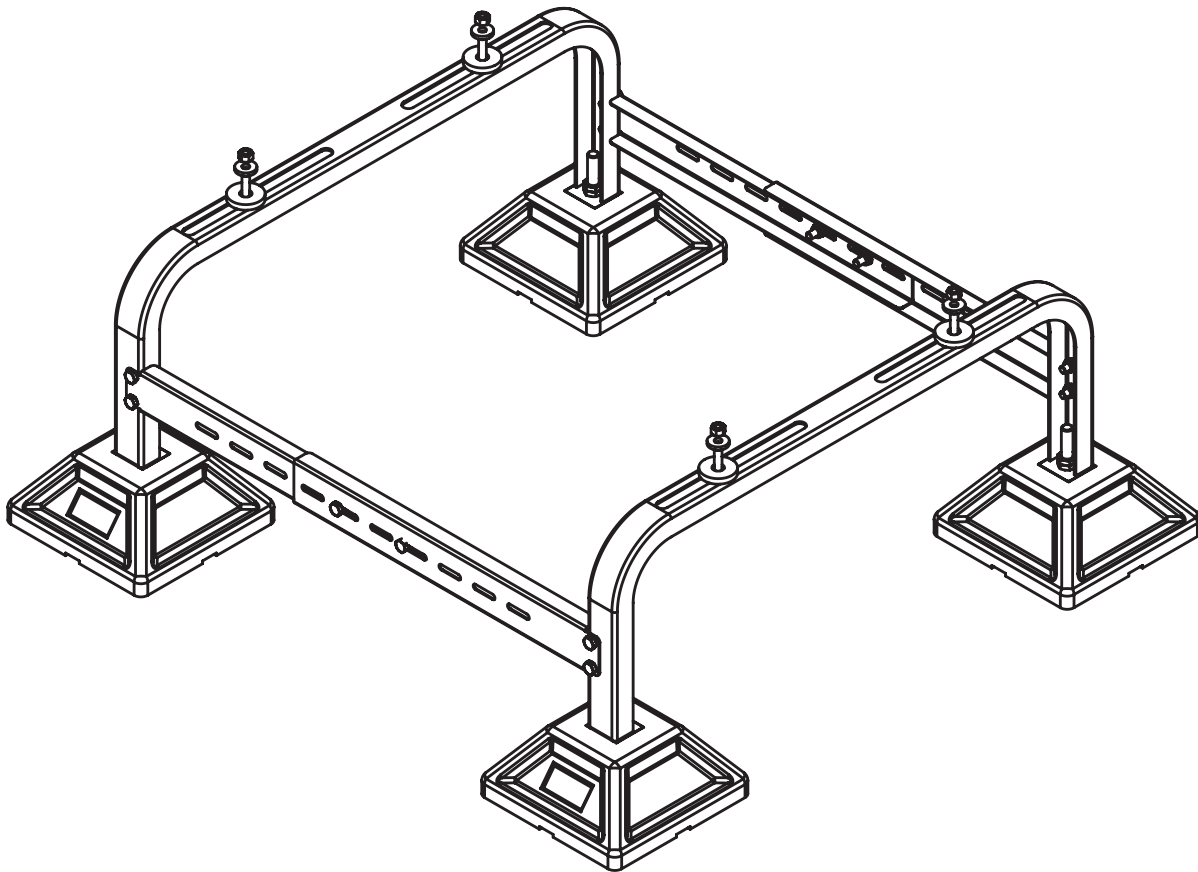


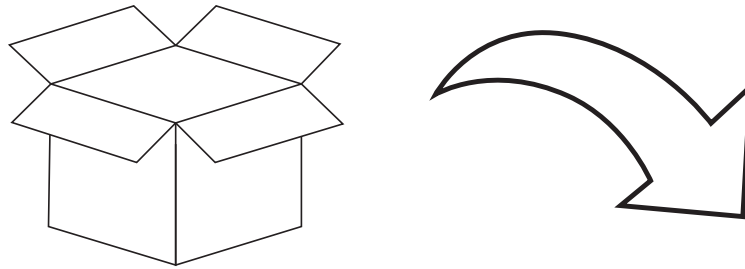


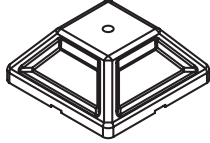
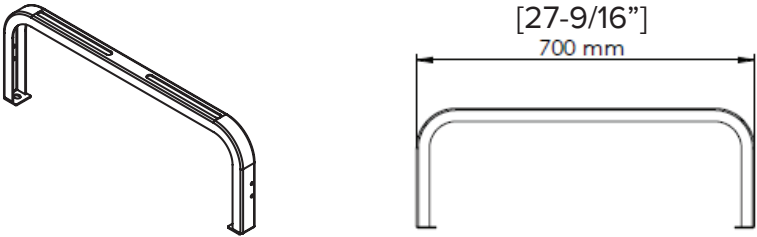
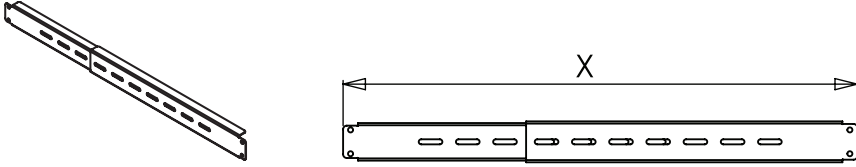

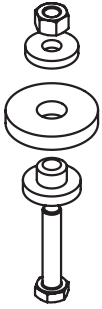
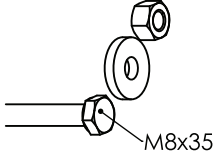

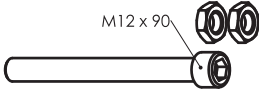
# Mini Split Stand

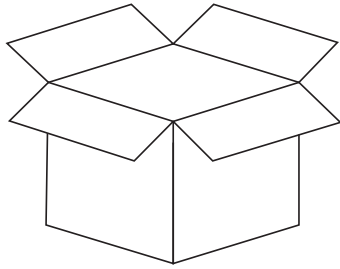
BZ33-MS


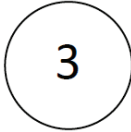
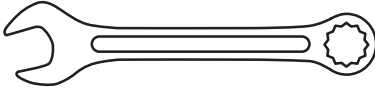
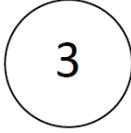


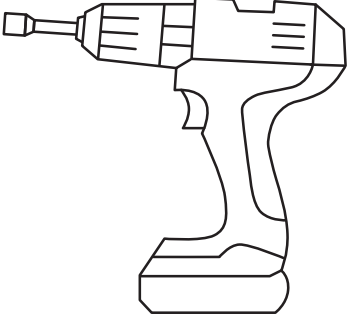

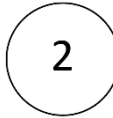
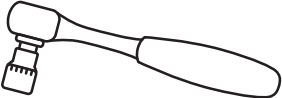
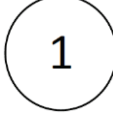

## Installation Instructions

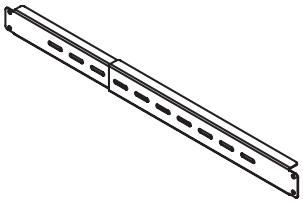
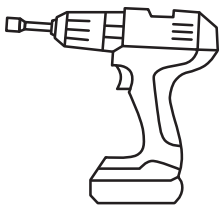
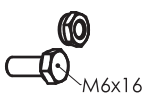



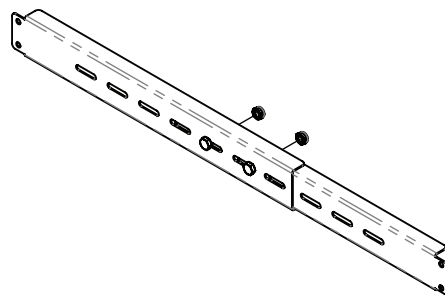
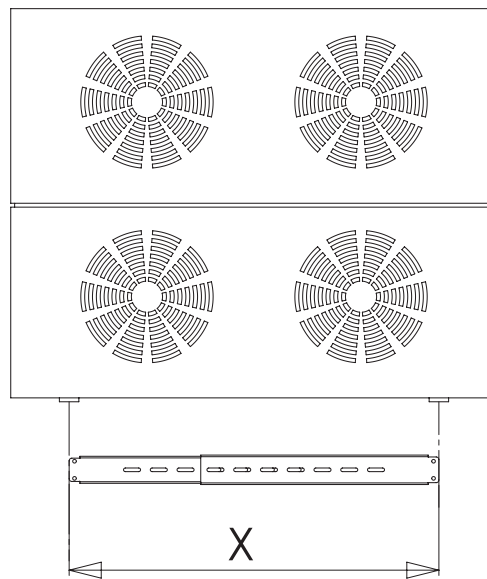


<b>a</b>	<b>x 4</b>		pcs
<b>b</b>	<b>x 2</b>		pcs
<b>c</b>	<b>x 2</b>		sets
<b>d</b>	<b>x 4</b>		
<b>e</b>	<b>x 4</b>		
<b>f</b>	<b>x 12</b>		sets
<b>g</b>	<b>x 4</b>		sets

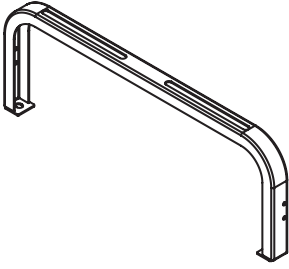





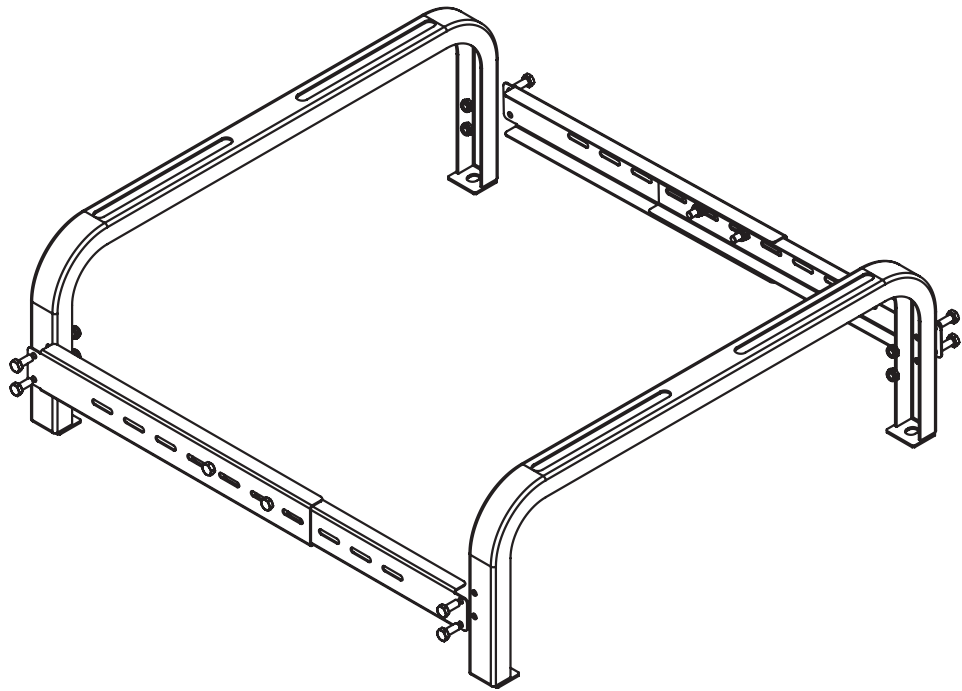
No. 10		
No. 19		
No. 13		
No. 10		 
No. 10		 

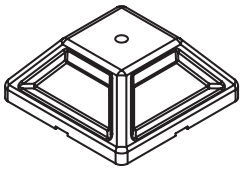

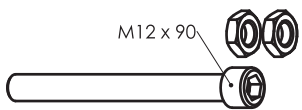

1	<b>c</b>	<b>x 2</b>		
	<b>f</b>	<b>x 4</b>	 M6x16	

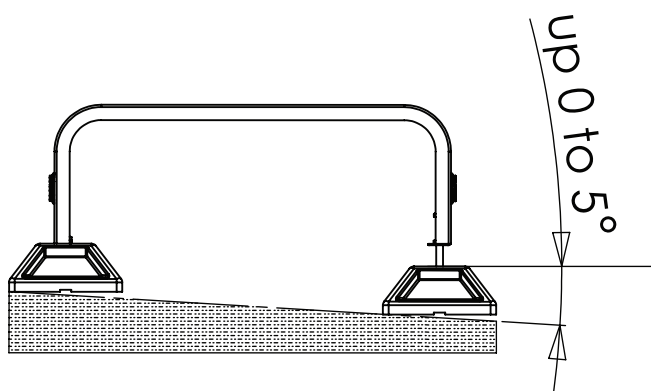
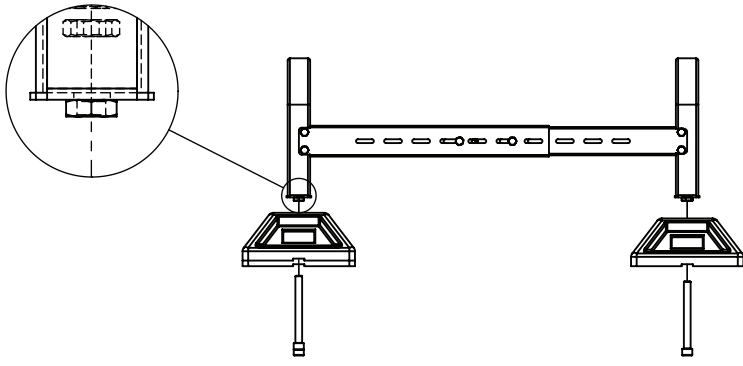
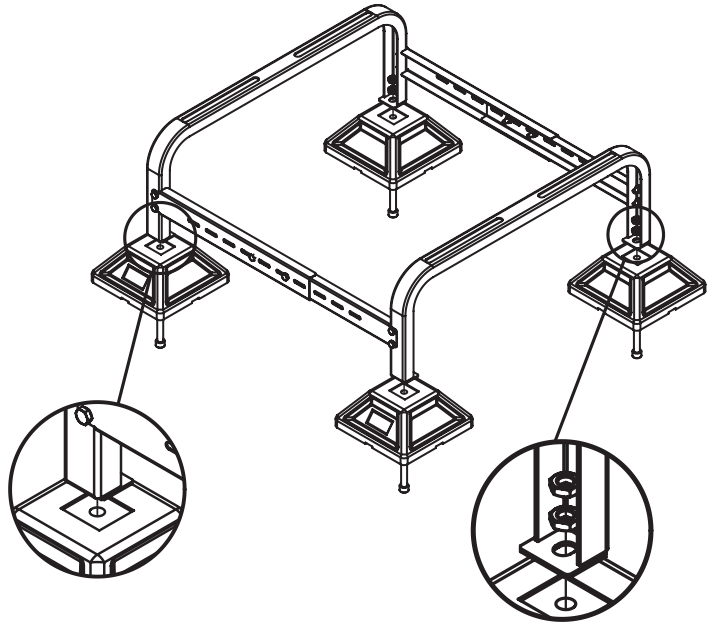




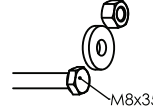
**X = 17-11/16" – 29-3/4"**

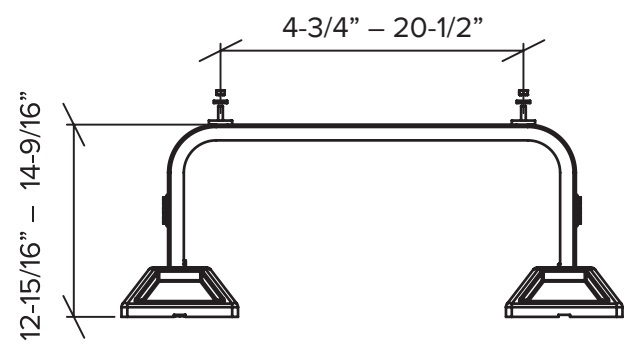
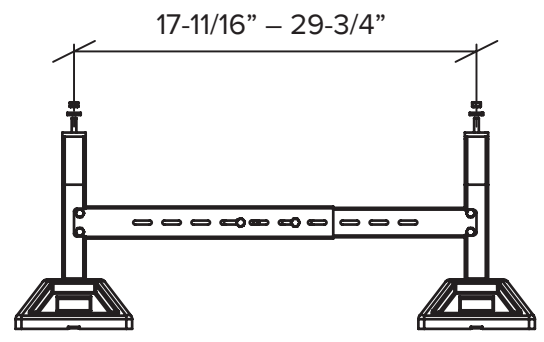
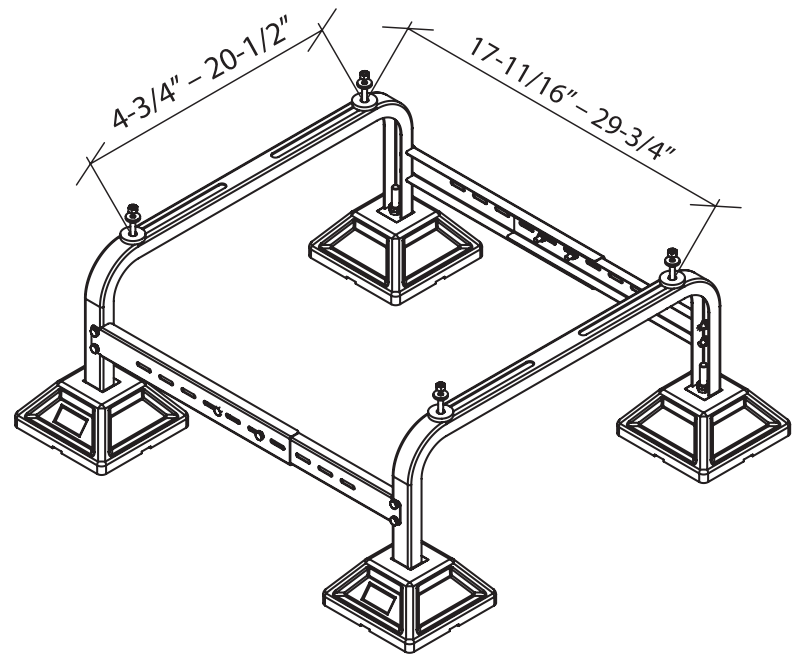
2	<b>b</b>	<b>x 2</b>		
	<b>f</b>	<b>x 4</b>	 M6x16	

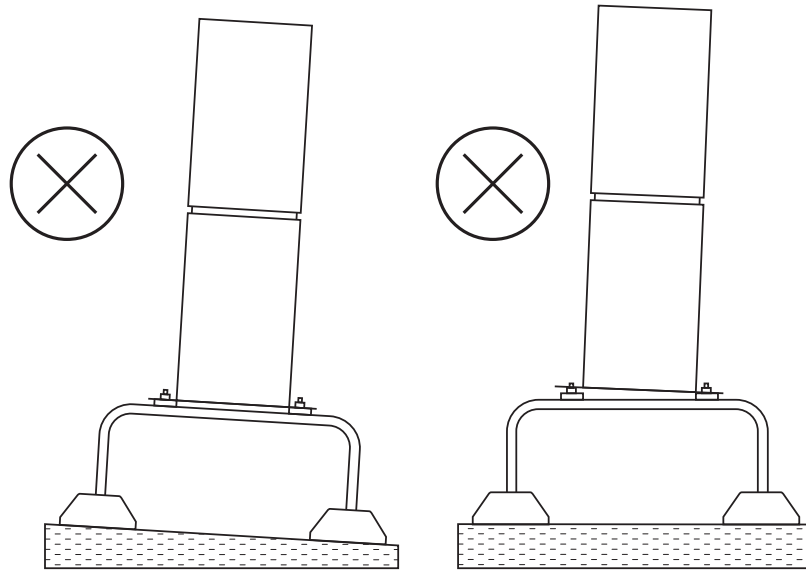
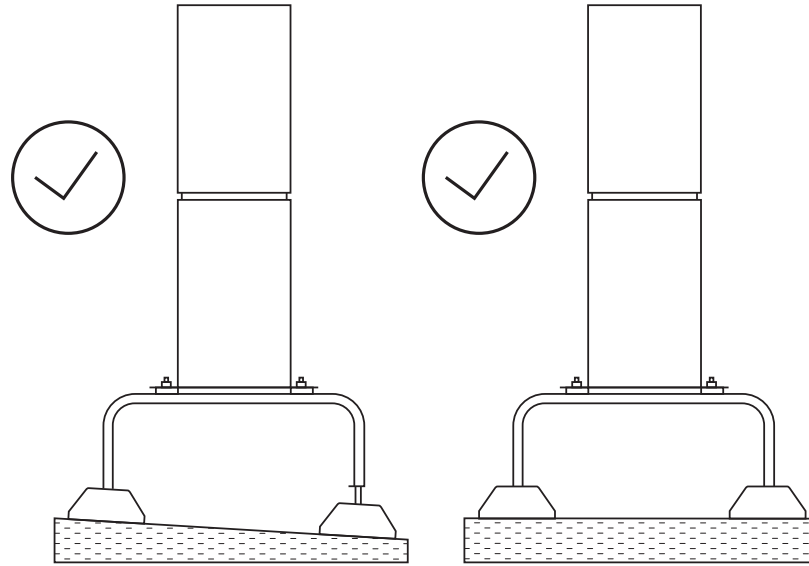


3	a	x 2		
	g	x 4	 M12 x 90	



<div style="border: 1px solid black; border-radius: 50%; width: 40px; height: 40px; display: flex; align-items: center; justify-content: center; margin: 0 auto;">4</div>	<b>d</b>	<b>x 4</b>		
	<b>e</b>	<b>x 4</b>	 M8x35	





Possible Adjustment: 3°-5°





Read Unit Installation Manual

## Important Information

**Breeze33® products are for professional use only.**

All Breeze33® products must be installed according to the supplied instructions by a professional roofing contractor.

If Breeze33® systems are installed on PVC membranes (or similar), it is the installer's responsibility to consult the PVC membrane manufacturer. A determination needs to be made if plasticizer migration occurs and comes in contact with the rubber substrate, it is necessary to make such accommodations to ensure the integrity of the installation.