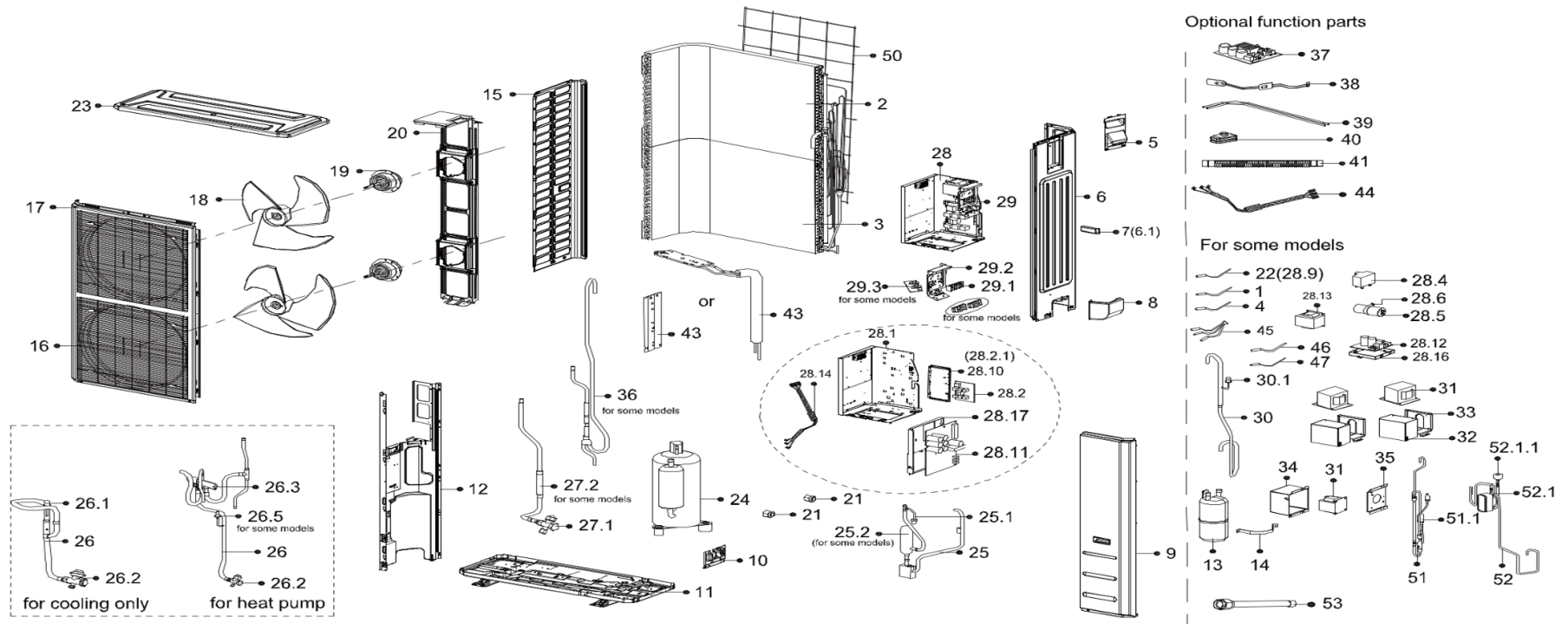


FACTORY CODE: 22022516001923

BZ33-HYP36OUT2-G2-P

ID# .3548014



PREMIER SERIES



MINI SPLIT REPLACEMENT PARTS GUIDE

BZ33-HYP36OUT2-G2-P

ID# .3548014

Part #	Replacement Part	Part Name	Qty
1	11201007003448	Room temperature sensor	1
2	15822500000359	Condenser assembly	1
3	15822500000361	Condenser assembly	1
4	11201007003441	Pipe temperature sensor	1
5	12222000013365	Big handle assembly	1
6	12222000012373	Rear right clapboard assembly	1
6.1	12100702000038	Handle	1
8	12122000014023	Water collector	1
9	12222000006287	Front right clapboard assembly	1
10	12222200002361	Valve plate	1
11	12222000006290	Chassis assembly	1
12	12222000005733	Partition board assembly	1
13	15500508000009	Liquid-storage tank	1
15	12222200002363	Left side plate assembly of cabinet	1
16	12222000014845	Air outlet grille	2
17	12222000007564	Front panel	1
18	12100105000022	Axial flow fan	2
19	11002015009825	Brushless DC motor	2
20	12222000006288	Supporter subassembly of fan motor	1
21	15500406000003	Copper nut	1
21	15500406000010	Copper nut	1
22	11201007003124	Discharge temperature sensor	1
23	12222200002359	Top cover assembly	1
24	11103020006279	DC inverter rotary compressor	1
25	15122000026158	Discharge pipe assembly	1
25.1	17400516000851	Pressure switch	1
26	15422000017592	4-Way valve assembly	1
26.2	15500204000061	Gas valve	1

Part #	Replacement Part	Part Name	Qty
26.3	15500216000681	4-Way valve	1
27	15422000018473	Liquid valve assembly	1
27.1	15500208000286	Liquid valve	1
27.2	15500210003229	Throttling valve	1
28	17222000037236	Electronic control box subassembly	1
28.1	12222000012372	Installation plate of electric parts subassembly	1
28.2	17122000055266	Inverter module subassembly	1
28.10	12122000014342	Electronic installing box	1
28.11	17122000055262	Outdoor main control board subassembly	1
28.14	17401203017294	Compressor wire subassembly	1
28.17	12122000020943	Electronic installing box	1
29	17222000031002	Terminal board subassembly	1
29.1	17400401000085	Wire joint	1
29.1	17400401003456	Wire joint	1
29.1	17400401000098	Terminal	1
29.2	12222000012265	Terminal instalation subassembly	1
30	15122000026165	Suction pipe assembly	1
30.1	17400516000008	Pressure switch	1
38	17402001000602	Crankcase electric heating strip	1
39	17402002000466	Electric heating tube	1
43	15122000026162	Radiator subassembly	1
50	12222000007944	Rear net	1
51	15422000018472	Electronic expansion valve subassembly	1
51.1	15500213000265	Electronic expansion valve body	1
52	15700101000876	Plate heat exchanger subassembly	1
52.1	15422000017593	Electronic expansion valve subassembly	1
52.1.1	15500213000865	Electric expansive valve	1