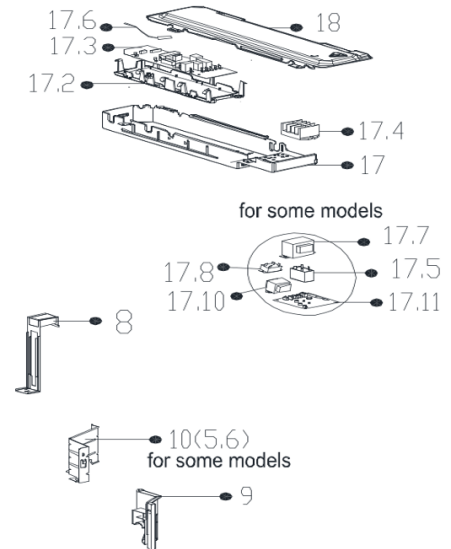
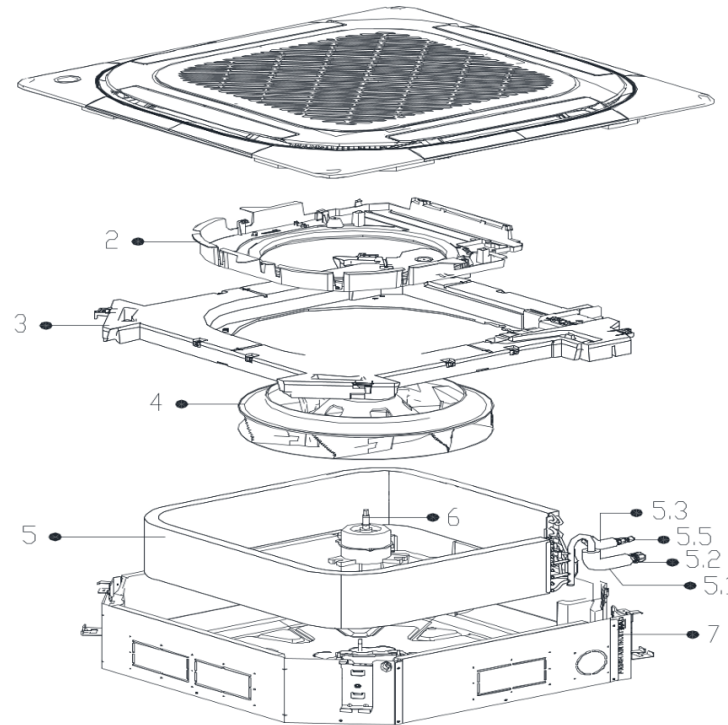
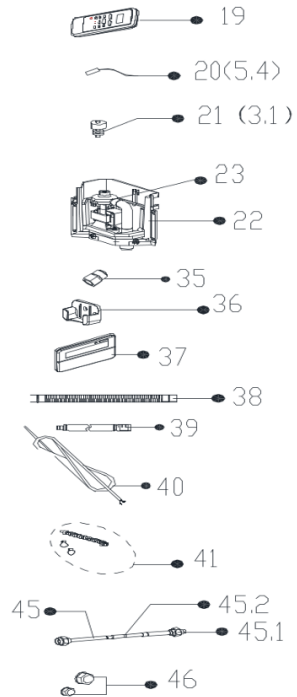


FACTORY CODE: 22022511003496

BZ33-CASS36-G2-P

ID# .3581098

Optional function parts





MINI SPLIT REPLACEMENT PARTS GUIDE

BZ33-CASS36-G2-P

ID# .3581098

Part #	Replacement Part	Part Name	Qty
2	12122500002031	Air guide ring	1
3	12822500000450	Water collector subassembly	1
3.1	17400511001044	Water level switch	1
4	12100103001504	Centrifuge fan	1
5	15822500002384	Evaporator assembly	1
5.1	15122500003261	Evaporator outlet pipe subassembly	1
5.2	15500404000005	Pipe nut	1
5.3	15122500003260	Evaporator inlet pipe subassembly	1
5.5	15500209000002	Detection valve	1
6	11002015012308	Brushless DC motor	1
7	12222500002094	Chassis assembly	1
8	12222500000089	Evaporator fixing hanger	2
9	12122500002028	Pipe fixing board subassembly	1
10	12222500002092	Evaporator fixing board subassembly	1
17	17222500003520	Electronic control box subassembly	1
17.2	12122500002047	Insulation plate	1
17.3	17122500005215	Main control board subassembly	1
17.4	17400401000085	Wire joint	1
17.6	11201007003424	Room temperature sensor	1
17.7	17400306001543	Reactor	1
17.11	17122000048868	Humidity sensor subassembly	1
18	12222500002033	Electric control box cover	1
19	17317000007564	Remote controller	1
20	11201007003442	Pipe temperature sensor	1

Part #	Replacement Part	Part Name	Qty
22	12122500002027	External water pump box assembly	1
23	11001010001757	Induction pump	1
41	12011600005258	Accessory kit	1
46	15500406000010	Copper nut	1
46	15500406000003	Copper nut	1