

## 97G2E

FORM NO. 97G2E-100 (5/2024)



### CONFIGURATIONS

- Upflow / Horizontal
- Downflow

### HEAT EXCHANGER DESIGN

- Aluminized steel primary heat exchanger with crimped non-welded construction
- AL29-4C Stainless steel secondary heat exchanger

### BURNERS

- Aluminized steel in shot burners for smooth ignition
- Isolated burner enclosure for quiet operation

### CABINET CONSTRUCTION

- Compact 33" height
- Standardized widths for easy coil fit

### AIR DELIVERY SYSTEM

- Constant torque ECM
- Efficient blower motor
- Easily removable slide-out blower design
- Dynamically balanced blower wheel with resilient motor mounts for smooth and quiet operation

### CONTROLS

- Two stage gas valve
- Integrated ignition and fan control
- System Sentry™ control retains last ten (10) fault codes with push button memory recall and 7 segment LED display, regardless of power interruption
- Hot surface ignition system uses silicon nitride ignitor
- Control features 120 volt electronic air cleaner and humidifier terminals
- Control circuit is fuse protected
- Color coded control wiring
- Compatible with single or two stage thermostats for heating  
Two stage thermostat is recommended when installed with two stage cooling unit.

### VENTING

- 2-speed induced draft motor with stainless steel shaft, steel ball bearings, and fan cooled for long life
- Vent materials for Canadian applications must comply with ULC S636
- Certified for direct vent and indirect vent (1 and 2 pipe) applications

### INSTALLATION FEATURES

- Left or right gas and electric entry
- Zero step horizontal conversion
- Removable floor base (upflow/horizontal units) for bottom return air
- All models comply with California's South Coast Air Quality Management district Low NOx requirements

### WARRANTY

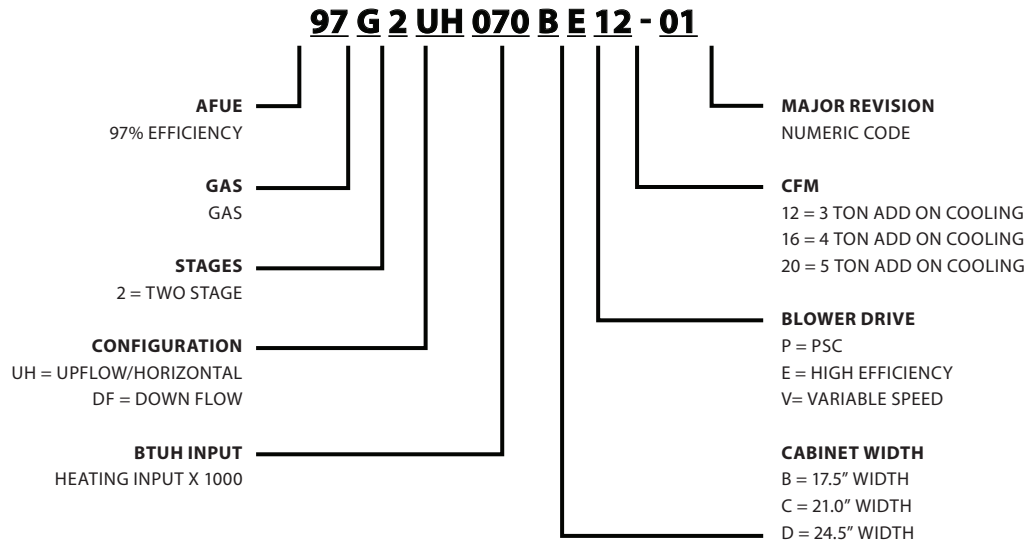
10 year limited parts warranty / lifetime heat exchanger warranty available. See limited warranty document for details.

#### *California Only*

*This product is not certified to be sold or installed in the South Coast Air Quality Management District (SCAQMD). It does not meet the SCAQMD Rule 1111 NOx emission limit of 14 Ng/J. This product is not certified to be sold or installed in the San Joaquin Valley Air Pollution Control District (SJVAPCD). It does not meet the SJVAPCD Rule 4905 NOx emission limit of 14 Ng/J.*



## MODEL NUMBER GUIDE



## PHYSICAL AND ELECTRICAL DATA

	Model	1st Stage		2nd Stage		AFUE (ICUS)	Nom. Cooling Capacity (tons)	Gas Inlet (in.)	Volts/ Hz/ Phase	Min. Time Delay Breaker or Fuse	Nominal F.L.A.	Trans. (V.A.)	Approx. Weight (lbs.)
		Input (Btuh)	Output (Btuh)	Input (Btuh)	Output (Btuh)								
Upflow / Horizontal	97G2UH045BE12	29,000	28,000	44,000	43,000	97.0	3	1/2	120-60-1	15	6.8	40	120
	97G2UH070BE12	43,000	42,000	66,000	65,000	97.0	3	1/2	120-60-1	15	6.8	40	128
	97G2UH090CE16	57,000	56,000	88,000	86,000	97.0	4	1/2	120-60-1	15	8.4	40	146
	97G2UH110CE20	72,000	71,000	110,000	108,000	97.0	5	1/2	120-60-1	15	10.9	40	157
Downflow	97G2DF045BE12	29,000	28,000	44,000	43,000	97.0	3	1/2	120-60-1	15	---	40	123
	97G2DF070BE16	43,000	42,000	66,000	65,000	97.0	4	1/2	120-60-1	15	---	40	137
	97G2DF090CE16	57,000	56,000	88,000	86,000	97.0	5	1/2	120-60-1	20	10.9	40	147
	97G2DF110CE20	72,000	70,000	110,000	108,000	97.0	5	1/2	120-60-1	20	10.9	40	166

Note: For vent length and clearances to combustibles, please reference installation instructions.

## FILTER REQUIREMENT DATA

Airflow Descriptor	Disposable Filters	Cleanable Filters
	Minimum Area (sq. in.)	Minimum Area (sq.in.)
12	576	288
16	768	384
20	960	480

1. The Airflow Descriptor is the two digits following the "B", "C", or "D" in the model number; e.g. "20" is the Airflow Descriptor.

2. Areas shown for permanent filters are based on filters rated at 600 feet per minute face velocity.

## BLOWER DATA: UPFLOW / HORIZONTAL

97G2UH045BE12 PERFORMANCE (Less Filter)												
External Static Pressure in. w.c.	Rise Range °F		Air Volume / Watts at Various Blower Speeds									
	1st Stage	2nd Stage	High		Medium-High		Medium		Medium-Low		Low	
			cfm	Watts	cfm	Watts	cfm	Watts	cfm	Watts	cfm	Watts
0.10	20-50	30-60	1395	348	1246	249	1139	198	911	111	847	96
0.20			1375	358	1206	258	1105	203	876	120	809	103
0.30			1348	367	1184	267	1079	215	839	122	768	109
0.40			1318	380	1160	278	1046	221	798	132	733	115
0.50			1294	386	1125	286	1014	230	755	139	694	124
0.60			1265	398	1097	296	987	239	710	145	652	132
0.70			1216	393	1066	304	957	247	665	156	606	136
0.80			1147	374	1043	314	923	256	624	160	569	145
0.90			1062	350	1010	320	889	267	589	166	532	151
1.00			941	314	917	301	846	271	556	177	486	156

97G2UH070BE12 PERFORMANCE (Less Filter)												
External Static Pressure in. w.c.	Rise Range °F		Air Volume / Watts at Various Blower Speeds									
	1st Stage	2nd Stage	High		Medium-High		Medium		Medium-Low		Low	
			cfm	Watts	cfm	Watts	cfm	Watts	cfm	Watts	cfm	Watts
0.10	25-55	35-65	1395	333	1242	240	1137	190	912	107	851	94
0.20			1367	346	1214	252	1104	202	872	116	813	103
0.30			1332	362	1182	260	1071	213	832	123	762	110
0.40			1311	372	1153	274	1043	218	775	134	721	117
0.50			1287	382	1119	285	1001	231	735	141	675	125
0.60			1249	394	1087	294	968	241	681	148	625	134
0.70			1199	387	1055	306	934	249	641	156	581	142
0.80			1112	369	1013	316	891	259	596	166	540	149
0.90			1009	337	946	309	856	268	554	172	483	157
1.00			840	294	833	282	793	269	516	182	443	165

## BLOWER DATA: UPFLOW / HORIZONTAL

97G2UH090CE16 PERFORMANCE (Less Filter)												
External Static Pressure in. w.c.	Rise Range °F		Air Volume / Watts at Various Blower Speeds									
	1st Stage	2nd Stage	High		Medium-High		Medium		Medium-Low		Low	
			cfm	Watts	cfm	Watts	cfm	Watts	cfm	Watts	cfm	Watts
0.10	30-60	40-70	1714	401	1490	284	1373	217	1286	186	1165	143
0.20			1679	419	1476	292	1332	233	1250	199	1131	155
0.30			1650	435	1440	312	1305	247	1219	214	1083	168
0.40			1630	456	1403	327	1271	258	1178	222	1050	176
0.50			1601	469	1377	334	1227	270	1142	232	1006	188
0.60			1567	478	1347	346	1196	283	1110	245	968	197
0.70			1489	461	1313	361	1165	291	1068	257	930	207
0.80			1390	433	1275	372	1126	306	1035	268	894	217
0.90			1237	387	1218	373	1091	315	990	277	843	228
1.00			1115	354	1075	337	1043	324	951	287	807	235

97G2UH110CE20 PERFORMANCE (Less Filter)																						
External Static Pressure in. w.g.	Rise Range °F		Air Volume / Watts at Different Blower Speeds																			
	1st Stage	2nd Stage	Bottom Return Air, Side Return Air with Optional Return Air Base, Return Air from Both Sides or Return Air from Bottom and One Side.										Single Side Return Air – Air volumes in bold require field fabricated transition to accommodate 20 x 25 x 1 in. air filter in order to maintain proper air velocity.									
			High		Med-High		Medium		Med-Low		Low		High		Med-High		Medium		Med-Low		Low	
	cfm	Watts	cfm	Watts	cfm	Watts	cfm	Watts	cfm	Watts	cfm	Watts	cfm	Watts	cfm	Watts	cfm	Watts	cfm	Watts	cfm	Watts
0.10	30-60	40-70	2140	653	1877	449	1706	349	1616	292	1419	215	2101	650	1821	449	1650	346	1558	288	1383	209
0.20			2102	669	1840	461	1670	362	1566	304	1388	223	2069	664	1795	462	1621	357	1503	301	1331	217
0.30			2061	687	1799	477	1639	375	1518	317	1326	234	2036	681	1746	479	1575	373	1466	312	1289	229
0.40			2031	702	1758	492	1590	387	1480	328	1275	244	1998	698	1708	492	1538	383	1417	326	1235	241
0.50			1999	719	1721	507	1546	399	1427	341	1229	255	1970	717	1676	509	1497	397	1377	340	1183	254
0.60			1960	735	1683	519	1505	413	1390	351	1179	266	1940	731	1641	517	1460	408	1339	349	1152	262
0.70			1908	741	1637	534	1467	424	1351	361	1128	277	1890	740	1609	533	1417	423	1293	362	1099	274
0.80			1840	721	1609	550	1423	438	1299	374	1088	284	1834	730	1560	549	1375	437	1254	374	1047	286
0.90			1744	692	1569	561	1387	447	1257	386	1036	296	1741	702	1532	561	1339	447	1219	384	1011	296
1.00			1651	655	1539	573	1347	461	1218	397	984	305	1645	665	1496	574	1298	460	1177	397	970	304

## BLOWER DATA: DOWNFLOW

97G2DF045BE12 PERFORMANCE (Less Filter)												
External Static Pressure in. w.c.	Rise Range °F		Air Volume / Watts at Various Blower Speeds									
	1st Stage	2nd Stage	High		Medium-High		Medium		Medium-Low		Low	
			cfm	Watts	cfm	Watts	cfm	Watts	cfm	Watts	cfm	Watts
0.10	15-45	30-60	1434	383	1275	277	1169	217	921	126	860	106
0.20			1401	395	1237	288	1140	227	879	134	817	115
0.30			1363	398	1211	297	1101	238	833	140	773	122
0.40			1300	383	1179	308	1070	243	798	151	733	131
0.50			1228	367	1151	316	1036	256	755	156	692	136
0.60			1146	343	1105	319	1005	263	710	163	645	144
0.70			1058	318	1038	309	971	272	672	170	598	154
0.80			930	286	942	284	909	272	614	179	557	158
0.90			807	251	811	251	799	251	569	184	518	163
1.00			645	222	669	224	630	216	532	189	473	169

97G2DF070BE16 PERFORMANCE (Less Filter)												
External Static Pressure in. w.c.	Rise Range °F		Air Volume / Watts at Various Blower Speeds									
	1st Stage	2nd Stage	High		Medium-High		Medium		Medium-Low		Low	
			cfm	Watts	cfm	Watts	cfm	Watts	cfm	Watts	cfm	Watts
0.10	20-50	30-60	1709	485	1510	339	1336	240	1226	196	991	114
0.20			1675	501	1474	350	1294	249	1180	204	927	122
0.30			1638	513	1437	362	1244	261	1127	215	863	130
0.40			1601	529	1386	376	1187	270	1082	226	797	139
0.50			1563	541	1353	388	1139	282	1033	232	727	147
0.60			1511	539	1310	401	1100	293	979	245	661	155
0.70			1445	525	1272	410	1048	304	940	255	604	159
0.80			1339	499	1234	421	1013	313	862	264	531	174
0.90			1243	470	1161	424	952	326	811	272	481	182
1.00			1119	439	1092	414	907	330	763	281	435	192

97G2DF090CE16 PERFORMANCE (Less Filter)												
External Static Pressure in. w.c.	Rise Range °F		Air Volume / Watts at Various Blower Speeds									
	1st Stage	2nd Stage	High		Medium-High		Medium		Medium-Low		Low	
			cfm	Watts	cfm	Watts	cfm	Watts	cfm	Watts	cfm	Watts
0.10	25-55	35-65	1750	446	1520	308	1389	240	1306	206	1179	158
0.20			1708	463	1487	323	1359	254	1265	217	1130	171
0.30			1685	477	1456	339	1326	264	1228	230	1090	182
0.40			1630	478	1421	350	1274	281	1192	239	1046	192
0.50			1558	462	1394	363	1246	291	1157	251	989	202
0.60			1458	432	1354	373	1209	300	1114	264	952	210
0.70			1371	408	1312	381	1177	314	1079	271	913	220
0.80			1231	368	1234	366	1138	324	1038	282	861	230
0.90			1118	343	1093	336	1093	327	997	291	843	237
1.00			1008	315	976	309	987	306	952	292	794	242

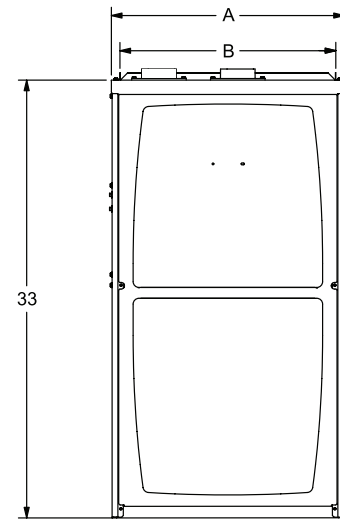
## BLOWER DATA: DOWNFLOW

97G2DF110CE20 PERFORMANCE (Less Filter)												
External Static Pressure in. w.c.	Rise Range °F		Air Volume / Watts at Various Blower Speeds									
	1st Stage	2nd Stage	High		Medium-High		Medium		Medium-Low		Low	
			cfm	Watts	cfm	Watts	cfm	Watts	cfm	Watts	cfm	Watts
0.10	30-60	40-70	2174	694	1920	474	1754	365	1631	312	1441	225
0.20			2136	706	1877	488	1709	379	1583	322	1387	237
0.30			2095	718	1832	500	1658	391	1530	332	1323	247
0.40			2058	734	1792	512	1617	403	1487	345	1276	256
0.50			2006	742	1745	525	1570	413	1433	354	1223	265
0.60			1940	727	1704	538	1523	426	1379	368	1168	276
0.70			1863	702	1665	550	1479	436	1340	377	1110	290
0.80			1765	669	1622	563	1439	445	1288	388	1061	293
0.90			1673	642	1582	572	1398	454	1254	397	1013	304
1.00			1559	599	1522	568	1354	466	1214	407	949	311

## DIMENSIONS (IN.)

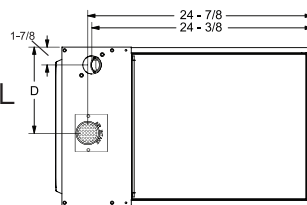
	Model	A	B	C	D
Upflow / Horizontal	97G2UH045BE12	17-1/2	16-3/8	16	7-5/8
	97G2UH070BE12	17-1/2	16-3/8	16	7-5/8
	97G2UH090CE16	21	19-7/8	19-1/2	9-3/8
	97G2UH110CE20	21	19-7/8	19-1/2	9-3/8
Downflow	97G2DF045BE12	17-1/2	16-3/8	16	15-1/2
	97G2DF070BE16	17-1/2	16-3/8	16	15-1/2
	97G2DF090CE16	21	19-7/8	19-1/2	19
	97G2DF110CE20	21	19-7/8	19-1/2	19

FRONT VIEW



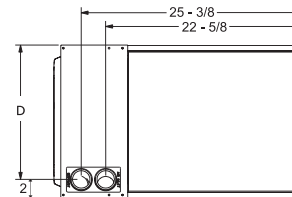
TOP VIEW

UPFLOW / HORIZONTAL



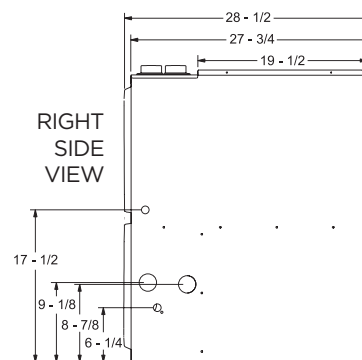
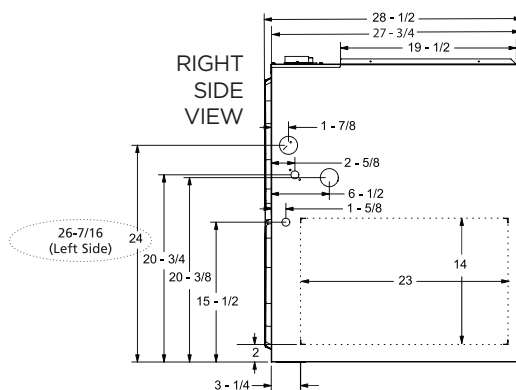
TOP VIEW

DOWNFLOW



RIGHT SIDE VIEW

RIGHT SIDE VIEW



BOTTOM VIEW

BOTTOM VIEW

