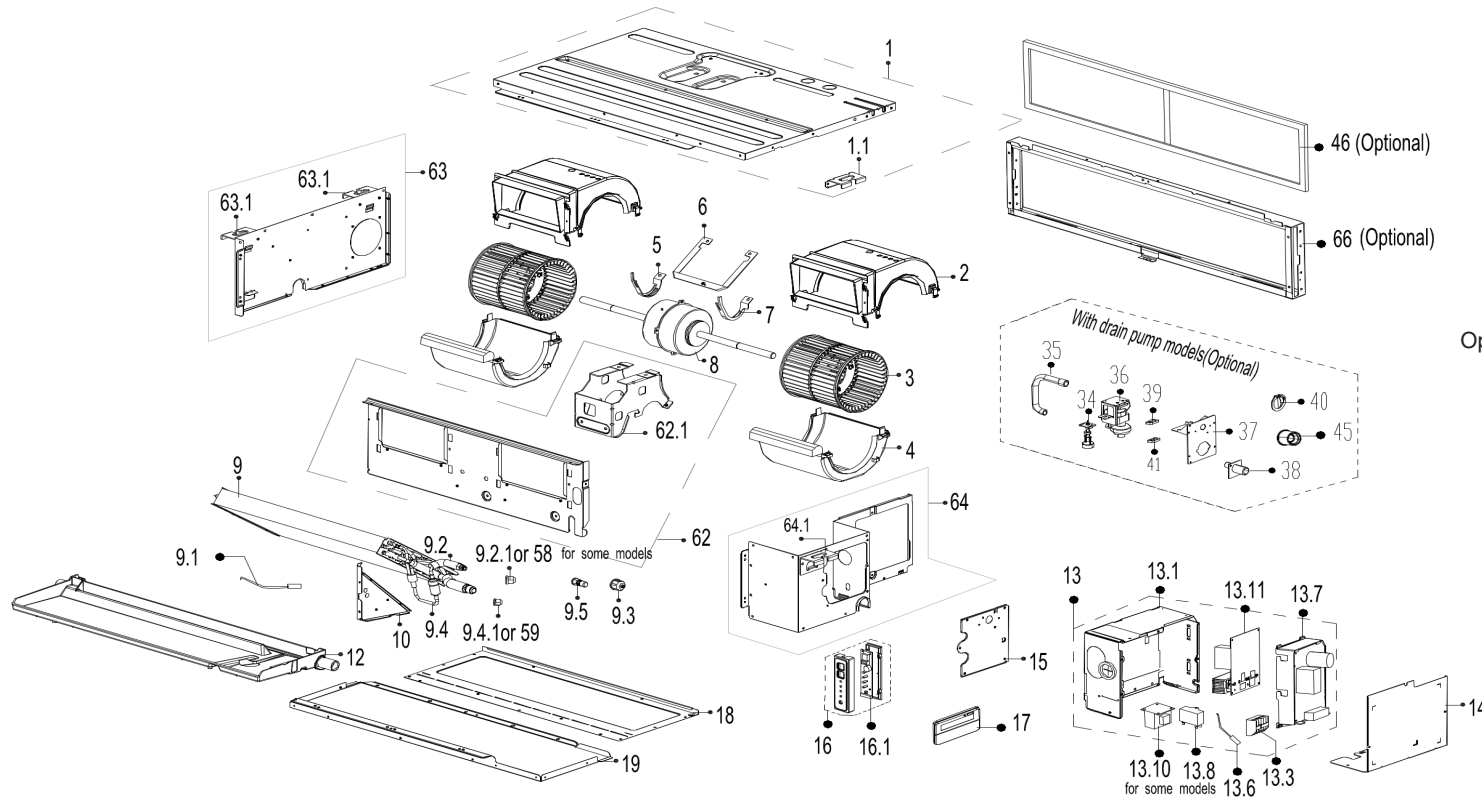


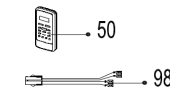
FACTORY CODE: 22023011003874

BZ33-DIDU09-P

ID# .3473440



Optional function parts



BZ33-DIDU09-P

ID# .3473440

Part #	Replacement Part	Part Name	Qty
1	12223000011148	Chassis subassembly	1
1.1	12223000011162	Hook	1
2	12123000001180	Top volute subassembly	2
3	12100103000804	Centrifuge fan	2
4	12123000001161	Bottom volute	2
5	12222500000253	Fan motor axes clamp (left)	1
6	12223000010427	Fan motor fixing board	1
7	12222500000255	Fan motor axes clamp (right)	1
8	11002015008306	Brushless DC motor	1
9	15823000004321	Evaporator assembly	1
9.1	11201007002320	Pipe temperature sensor	1
9.2	15123000010747	Evaporator outlet pipe subassembly	1
9.3	15500404000002	Pipe nut	1
9.4	15123000010589	Evaporator inlet pipe subassembly	1
9.5	15500209000001	Check valve	1
10	12223000A04010	Evaporator right support board subassembly	1
12	12123000001164	Water collector	1
13	17223000A04776	E-parts box assembly	1
13.1	12223000010447	Electronic control box	1
13.3	17400401000075	Terminal	1
13.6	11201007000283	Room temperature sensor	1
13.7	17123000A02420	Duct main control board subassembly	1
13.11	17122000A33188	Inverter module subassembly	1
13.12	17122200003159	Electric heater control board	1

Part #	Replacement Part	Part Name	Qty
14	12223000010314	Cover of electronic control box	1
15	12223000A03897	Pipe clamp board subassembly	1
16	17223000000003	Duct display board subassembly	1
16.1	17123000002712	Duct display board subassembly	1
17	17317100A26136	Wired controller	1
18	12223000010323	Rear cover subassembly	1
19	12223000010326	Top cover subassembly	1
35	12623000000003	Rubber tube	1
36	17400802000002	Water pump	1
39	12622500000004	Drain pump rubber washer	1
41	12622500000003	Drain pump rubber washer	1
46	12223000A03901	Air filter	1
50	17317000A54960	Remote controller	1
51	12117000002114	Remote controller bracket	1
54	12011600A00310	Accessory kit	1
58	15500406000010	Copper nut	1
59	15500406000016	Copper nut	1
62	12223000010325	Middle beam subassembly	1
62.1	12223000010309	Fan motor support	1
63	12223000A03904	Left clapboard subassembly	1
63.1	12223000006628	Hook	2
64	12223000011156	Right clapboard subassembly	1
64.1	12223000011161	Hook	1
66	12223000A03903	Right clapboard subassembly	1